

2019 Wednesday Night Racing - Sailing Instructions

Hosted by J/24, Fleet 24.

Lake George Wednesday Night Racing is open to all sailboats. Membership in a club is not required. Additional information is posted at:

<https://sail.lake-george.com/wed-night-racing/>

1 Rules

- 1.1 The Wednesday Night Series will be governed by the rules as defined in *The Racing Rules of Sailing for 2017–2020* (RRS) and as defined by these Sailing Instructions.
- 1.2 Where a conflict exists, these sailing instructions will take precedence.

2 Disclaimer of Liability

- 2.1 Competitors participate in the Wednesday Night Series entirely at their own risk. See RRS Rule 4, *Decision to Race*. The organizing authority, Wednesday Night Race Coordinator, Race Committee, Sponsors, Lake George Club or Lake George Corinthian Yacht Club will not accept any liability for material damage or personal injury or death sustained in conjunction with, or prior to, or during or after any race in this series.

3 Yacht Requirements & Insurance

- 3.1 All yachts must be sound with all equipment in place and in good, safe working condition. All yachts must conform to all applicable Federal, State and Local regulations. Where appropriate, all yachts must conform to their class requirements.
- 3.2 Each participating boat shall be insured with valid third-party liability insurance. Any change to insurance during the race series shall be communicated to the Wednesday Night Race Coordinator immediately.
- 3.3 Payment of the entry fee and proof of insurance must be received by the Wednesday Night Race Coordinator **prior** to participation in the series. See Section 20 below for Registration and Contact Information.

4 Schedule of Races

- 4.1 The Wednesday Night Racing Series will be held each Wednesday evening beginning on May 15, 2019 and concluding on August 28, 2019.
- 4.2 The scheduled time of the warning signal is 6:25pm.
- 4.3 One race will be conducted each evening.

5 Race Area

- 5.1 The race area will be in the main body of the lake bounded by Basin Bay to the north and Diamond Island to the south.

6 Courses

- 6.1 Courses will be set by the RC with a duration of approximately 1–2 hours, depending on available daylight. The RC will set a course appropriate for the weather conditions.
- 6.2 Triangle, windward-leeward courses, or courses around natural obstacles, with the length and number of legs appropriate for the prevailing conditions prior to the start, will be used with all marks rounded to port. See Appendix A for course shapes.
- 6.3 Other course shapes may be communicated by the RC prior to the warning signal depending on wind conditions and available mark placement.
- 6.4 No later than the warning signal the RC will communicate the approximate compass bearing to the first mark by either: **VHF Channel 72** or display on the Committee Boat. Failure to receive the compass course is not grounds for protest.
- 6.5 The following are considered off-limits to any racing vessel sailing on Wednesday night, and any boat sailing through these waters during a race will be disqualified (DSQ):
 - The channel between the Canoe Islands, as shown in Diagram C of Appendix A
 - The Lake George Club mooring field as defined by the limit markers buoys






7 Marks

- 7.1 Marks can be any of the following: government marks; orange or yellow tetrahedrons; or white or orange balls.
- 7.2 If any of the following government marks are used, they will be rounded as described below and shown in Appendix A.
 - **Cotton Point and all associated pin buoys (T2)**: Round to port.
 - **Canoe Island - North (U3)**: Round to port.
 - **Canoe Island - South (U4)**: Round to port after having rounded all the Canoe Islands to port. *NOTE: if the South Canoe Mark (U4) is used as a mark, the North Canoe Mark (U3) is not considered a mark of the course and can be passed to either side.*
 - **Diamond Island (W)**: Round to port. *NOTE: The mark and mooring ball over the wreck "Forward" (approx. 250 yards to the north) are not considered marks of the course and can be passed to either side.*

8 The Start

- 8.1 Races will be started using RRS Rule 26, *Starting Races*.
- 8.2 The RC will be on station at ~6:00 pm, flying a **RED FLAG**, in the course area.
- 8.3 All competitors are to sail by the stern of the Committee Boat to check in.
- 8.4 The RC will communicate the course and starting sequence using **VHF Channel 72**.
- 8.5 The Warning Signal for the race will be made 5 minutes before the starting signal, when the **GREEN FLAG** (class flag) goes up.
- 8.6 There will be **one start** for all classes.
- 8.7 The starting line will be between the staff displaying the orange flag and an orange ball.

Starting Sequence Reference

Title	Visual Signal	Displayed Flags	Sound Signal	Time to Start
Committee Boat on Station	RED Flag Raised		None	30 minutes (6:00pm)
	RED Flag Lowered		None	6 minutes (6:24pm)
Warning Signal	GREEN Flag Raised, stays up until Start		One	5 minutes (6:25pm)
Preparatory Signal	Code Flag P (blue with white square) OR Code Flag I (Yellow with Black circle) Both Green and Prep Flag are Up	 OR 	One	4 minutes (6:26pm)
One Minute	Preparatory Code flag P OR I Lowered (Green Flag stays UP)		One Long	1 minute (6:29pm)
Start	GREEN Flag Lowered		One	0 (6:30pm)

9 Round the Ends – RRS Rule 30.1

- 9.1 RRS Rule 30.1, *I Flag Rule* (the “Round-the-Ends” rule) will be in effect at the discretion of the RC or after a General Recall.
- 9.2 When Code Flag I is displayed as the preparatory signal during the starting sequence, then RRS 30.1, *I Flag Rule* is in effect.

10 Recalls – RRS Rule 29

- 10.1 Recalls will be governed by RRS Rule 29, *Recalls*, and these Sailing Instructions.
- 10.2 For individual boats that are OCS (On Course Side, or “over early”), the Race Committee will sound one horn blast and fly Code Flag X.
- 10.3 The Race Committee will attempt to notify OCS yachts by radio. Failure to hear notification does not relieve a boat of her obligation to start properly and is not grounds for protest. Order of announcement is not grounds for protest.
- 10.4 General recalls: The Race Committee will sound two horn blasts and fly the First Substitute pennant.

11 Shortening or Abandoning After the Start – RRS Rule 32

- 11.1 RRS Rule 32, *Shortening or Abandoning After the Start* will apply at the discretion of the Race Committee.
- 11.2 The Race Committee may abandon the race due to severe weather and will make every attempt to notify the fleet

12 Change of Course – RRS Rule 33

- 12.1 In the event of a change of course the Race Committee will signal the change by flying Code Flag C and making repetitive sounds in accordance with RRS Rule 33, *Changing the Next Leg of the Course* and will indicate changes to either direction or length as follows:
- Green Flag: Mark has been moved to starboard
 - Red Flag: Mark has been moved to port
 - Plus sign (+): The leg has been lengthened
 - Minus sign (-): The leg has been shortened
- 12.2 The Change of Course and bearing may be communicated by radio. Failure to hear the communication is not grounds for protest.

13 Personal Flotation Devices

- 13.1 PFDs will be worn as prescribed by RRS Rule 40, *Personal Flotation Devices* when Code Flag Y is displayed.

14 Finish

- 14.1 Finish line will be between the Committee Boat flying a **BLUE FLAG** and an orange buoy or between two orange marks.
- 14.2 If the Committee Boat is absent, a finishing yacht shall record her elapsed time and report it to the Race Committee as soon as possible.

15 Time Limit

- 15.1 Boats that are still racing but fail to finish within 45 minutes after the first boat finishes will be scored TLE (Time Limit Expired) and awarded a score of two plus the number of boats finished.

16 Scoring

- 16.1 The "Time on Time" method of the PHRF handicap system will be used to calculate each boat's corrected time and order of finish.
- 16.2 The wind strength variable in calculating the results will be entered at the discretion of the race committee.
- 16.3 The 2019 Wednesday Night racing season will consist of 16 races. Scoring for the season will be calculated using four (4) throw-outs (discards). One throw-out will be allowed for every four races held.
- 16.4 Boats that perform Race Committee duty will be given a score of six (6) points.
- 16.5 Results will be posted to <http://www.lakegeorgeracing.com>

17 Penalties & Protests

- 17.1 All skippers are expected to race in the spirit of Wednesday Night Racing, and in accordance with the *Basic Principles* and *Fundamental Rules* of the RRS.
- 17.2 If any infraction of the Rules occurs, proper exoneration will be self-governed and in accordance with the RRS Rules 44.1, *Taking a Penalty* and 44.2, *One-Turn and Two-Turns Penalties*.
- 17.3 OCS yachts are required to restart or will be scored DSQ by the race committee.
- 17.4 If the Race Committee witnesses or receives confirmation from at least two boats that a foul was committed and not exonerated, the Race Committee will DSQ the boat until reasonable arguments to contrary are obtained.
- 17.5 The protest time limit expires at 9am the morning following the race. Any protest must be submitted to the Wednesday Night Race Coordinator within that time limit. Protest forms are available at <https://sail.lake-george.com/wed-night-racing/>
- 17.6 Protests will then be reviewed as follows:
- The Wednesday Night Race Coordinator (WNRC) will conduct an initial interview.
 - If the facts are straightforward the WNRC will judge the case with potential concurrence of other veteran sailors.
 - If the facts are hard to determine the WNRC will seek impartial (non-interested) volunteers to act as a Protest Committee, and arrange a suitable venue and time to hear the Protest. This may take several weeks and until it is heard the race results will be entered in order of finish but will be deemed "under review and subject to change."

18 Social Gatherings & Awards

- 18.1 At the end of season, awards will be given based on available funds. The Wednesday Night Series awards the perpetual **Underhill Trophy** at the end of the series. The season awards party location will be posted at a future date.

19 Safety

- 19.1 Yachts that drop out or do not finish for any reason must contact the Race Committee in person, on **VHF Channel 72** or the WNRC by phone (518-788-0697) at the earliest opportunity. The Race Committee must be notified to verify that all boats are safe.
- 19.2 All yachts, skippers and crew shall comply with regulations of the Lake George Park Commission. Any yacht that receives a summons from any official agency patrolling the lake may be disqualified.

20 Registration & Contact Info

- 20.1 Send the **\$75.00** entry fee to the Wednesday Night Race Coordinator:

Rodger Voss
11 Venezia Avenue
Albany, NY 12203

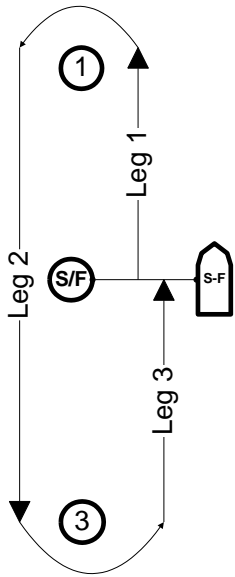
For additional information contact Rodger Voss: 518-788-0697 or rodgervoss@yahoo.com

Contact Spencer Raggio (sraggio@gmail.com) to subscribe to the email distribution list.

APPENDIX A

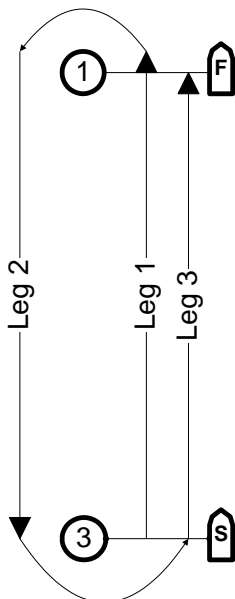
I COURSE

An I course will start and finish with the Committee Boat stationed in the middle of the course. The number of legs will be posted. This course will always have an odd number of legs. The diagram below shows an I-3 course.



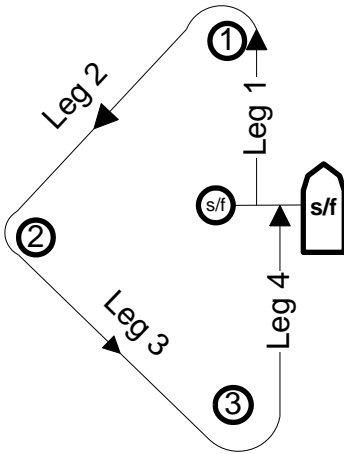
W COURSE

This course can have either odd or even numbers of legs. If an even number of legs, the Committee Boat will remain in place for a downwind finish. If an odd number of legs the Committee Boat will position itself at the windward mark for the finish. The diagram below shows a W-3.



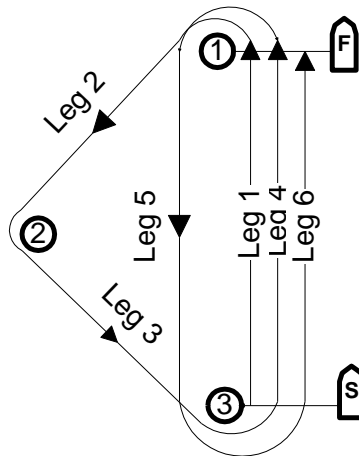
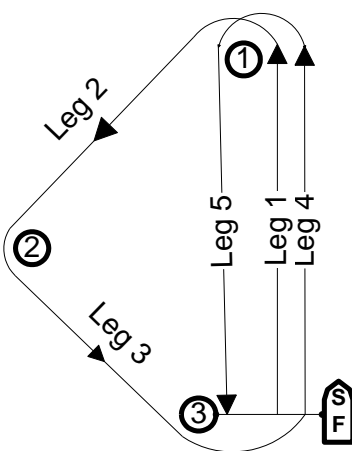
T COURSE

A T course will start and finish with the Committee Boat stationed in the middle of the course. The number of legs will be posted. This course will always have an even number of legs. The diagram below shows a T-4.



O Course

This course can have either odd or even numbers of legs. If an even number of legs, the Committee Boat will remain in place for a downwind finish. If an odd number of legs the Committee Boat will position itself at the windward mark for the finish. The diagrams below show an O-5 and an O-6.



Diamond Island Mark (W)

DANGER: DO NOT ENTER



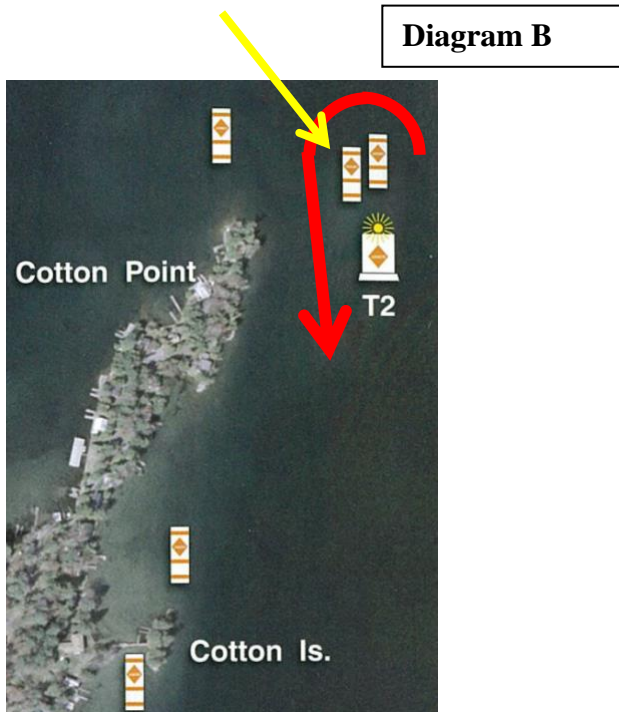
Canoe Island Marks(U3 and U4)



Marks are not part of the course and can be passed on either side.

Cotton Point Mark (T2)

Round all associated spars



Code Flag Reference



Race Committee



On Station Flag
Blue



Line Flag
Orange



Course Change to Port
Red



Rule 30.3 in effect
Black



Umpire Signal, Windsurfing Start
Green



Umpire Signal
Yellow



Umpire Signal
Green & White Checker



Change Course, Longer Leg
White



Change Course, Shorten Leg
White



Course Change to Starboard
Green Pennant



General Recall
1st Repeater



Another Race
2nd Repeater



Postponement
"AP"



No More Racing
A



Change of Course
C



On Shore Delay
D



Match Racing, Attention
M



Harbor Home
H



Round the Ends
I



Come within Hail
L



Mark Missing
M



Abandon Race
N



Rule 42 Off
O



Preparatory
P



Rule 42 On
R



Shorten Course
S



Umpire
U



Individual Recall
X



Life Jackets
Y



Rule 30.2 in effect
Z



Class Flag
#1



Class Flag
#2



Class Flag
#3